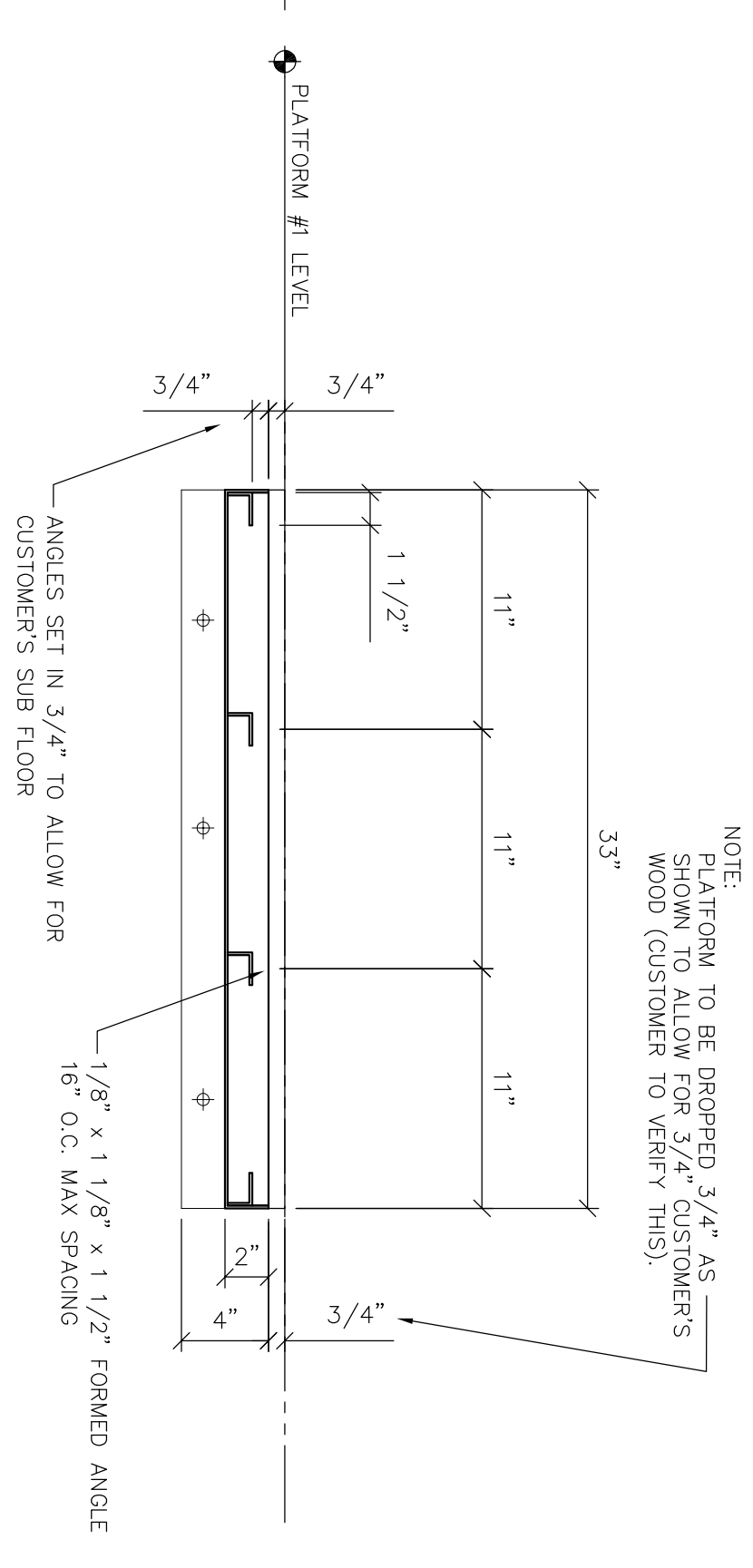
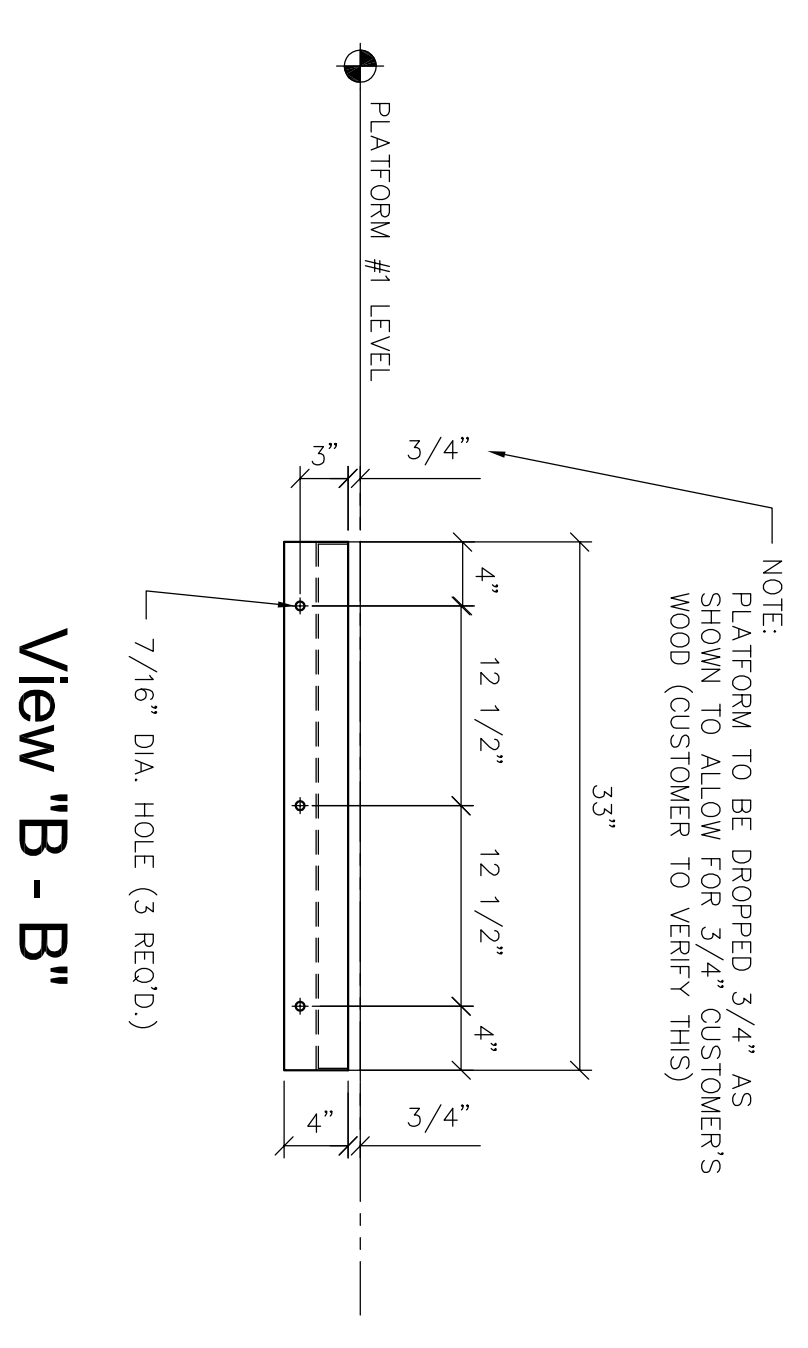


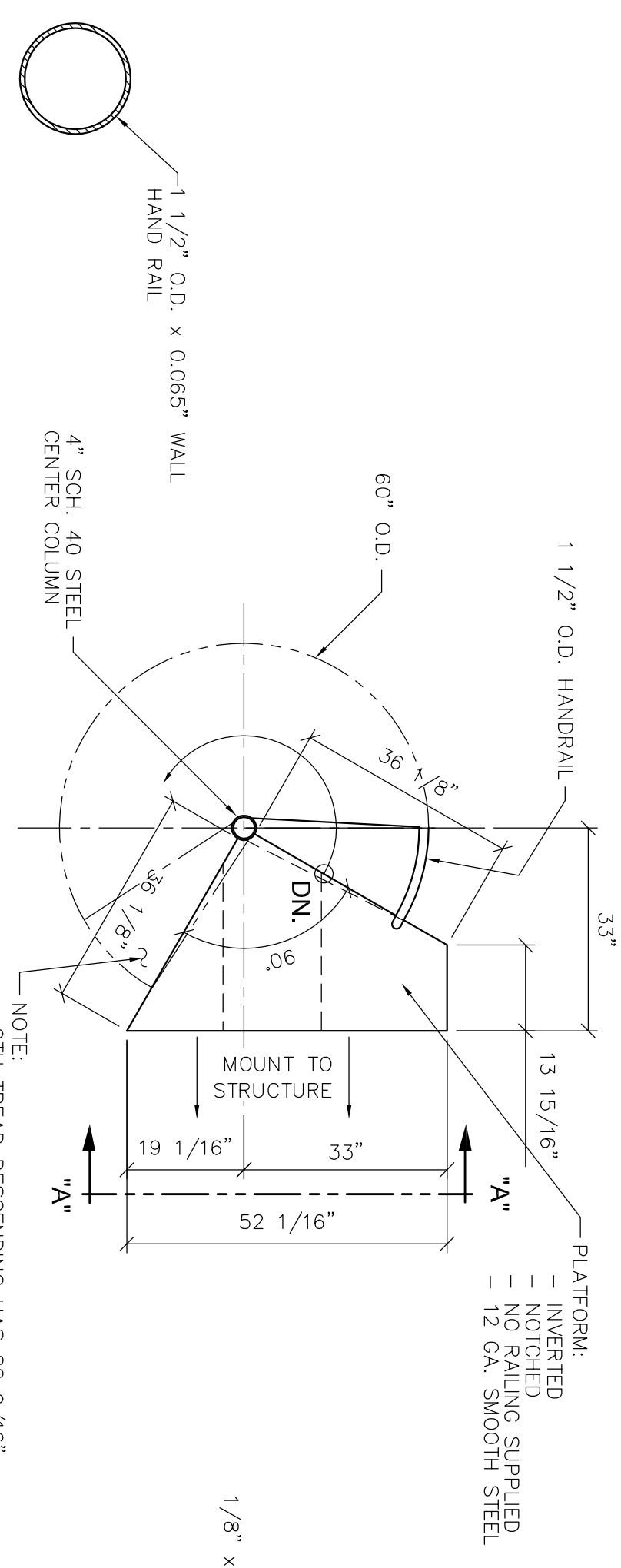
View "A - A"
1/2" = 1'-0"



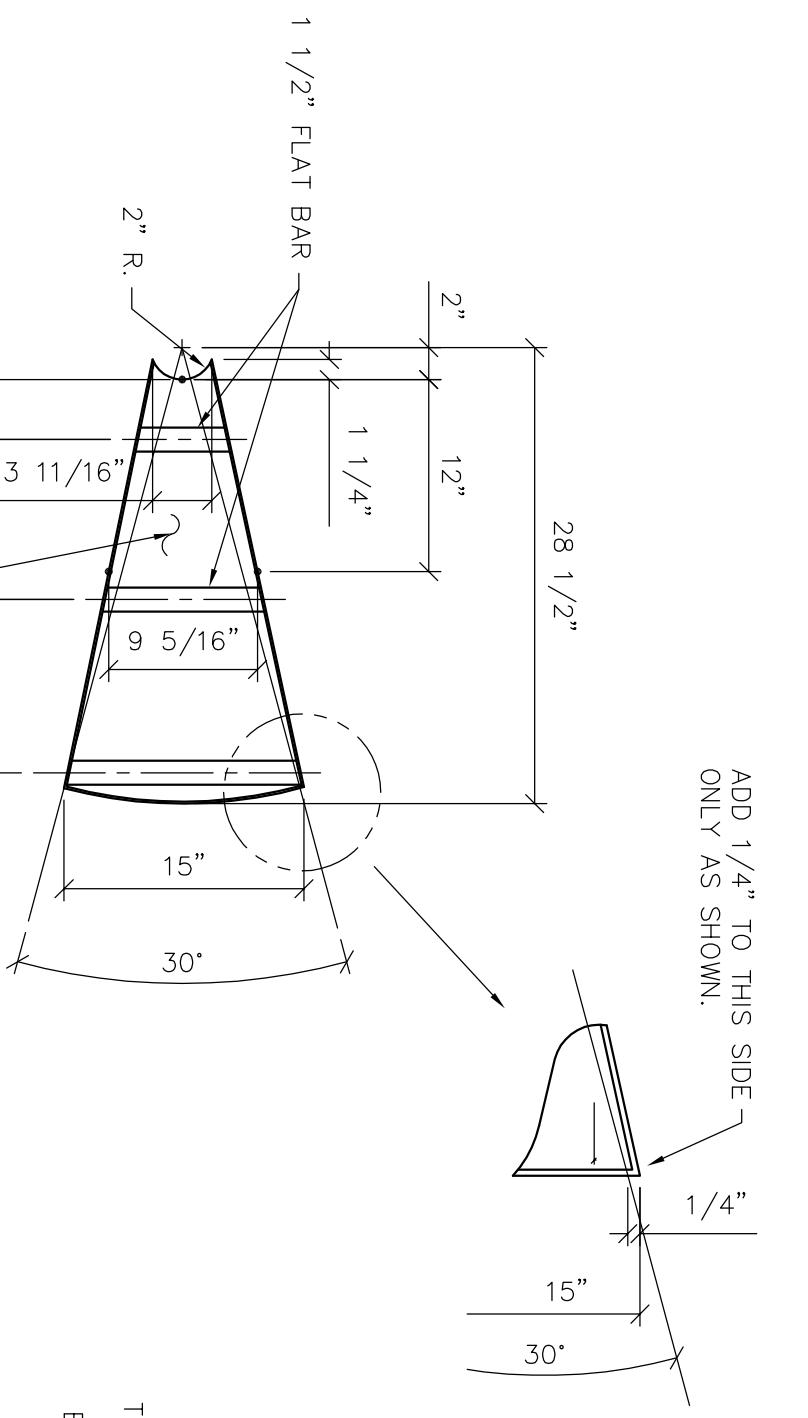
View "C - C"
1 1/2" = 1'-0"



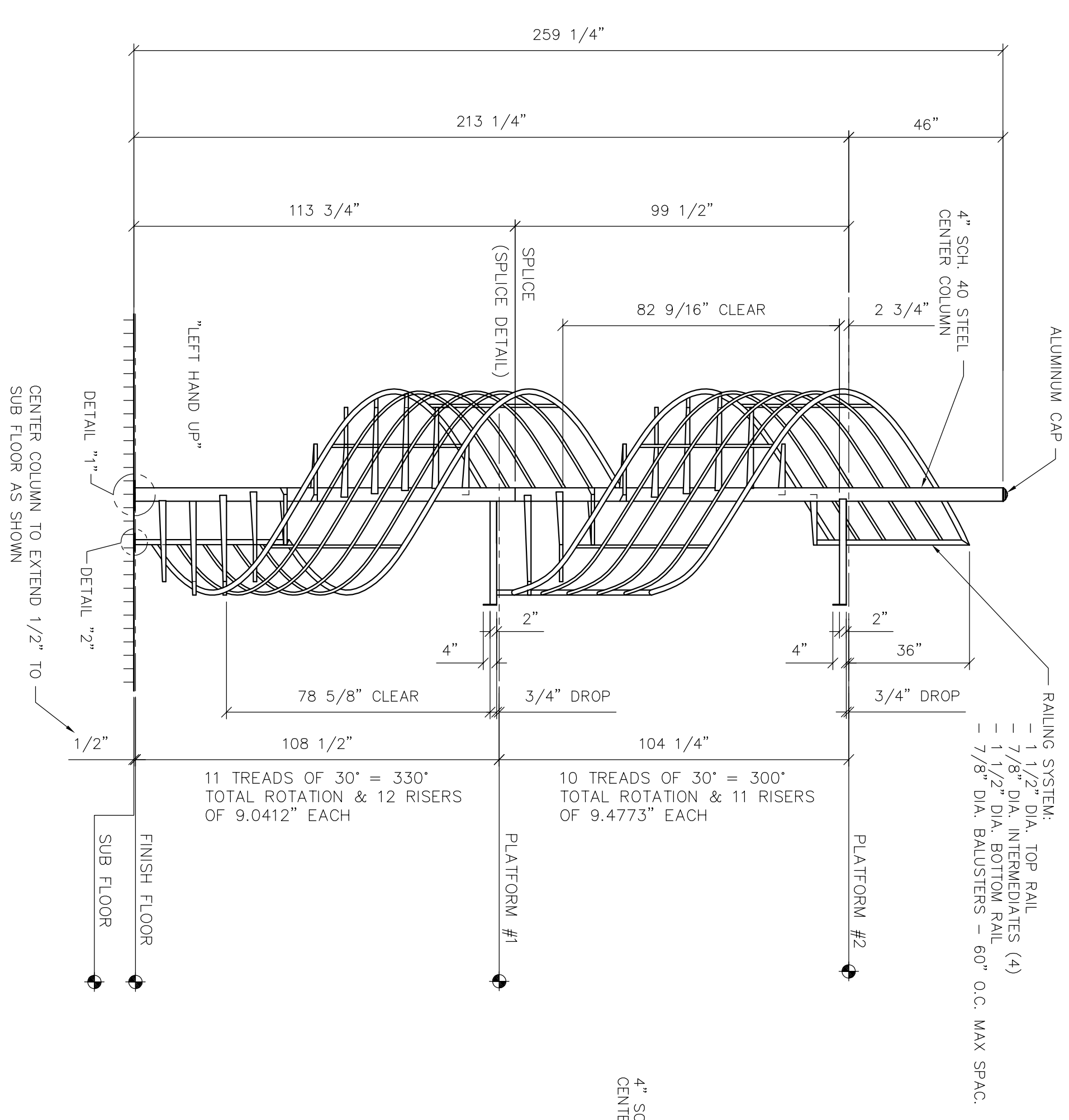
View "B - B"
1/2" = 1'-0"



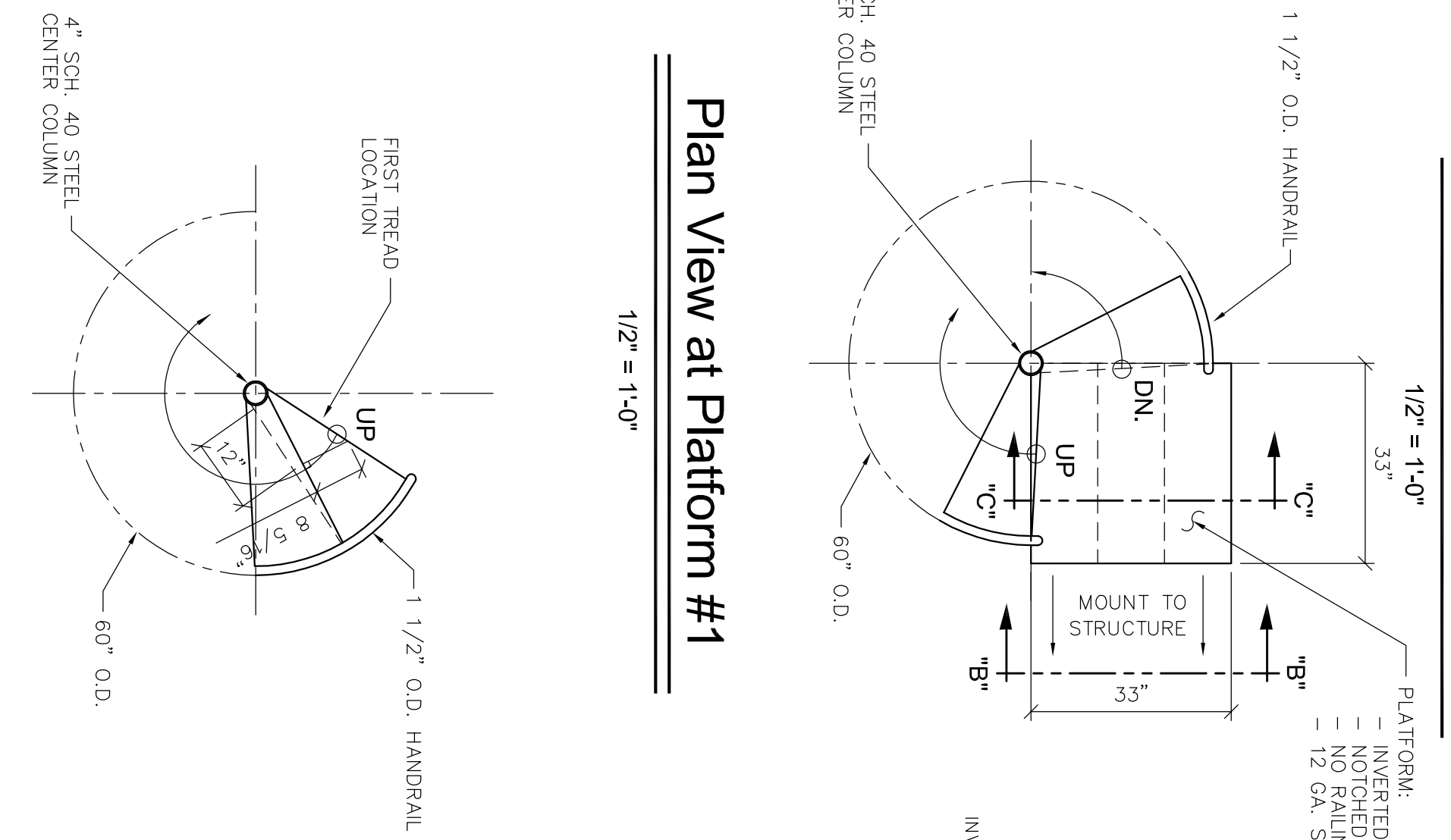
Plan View at Platform #1
1/2" = 1'-0"



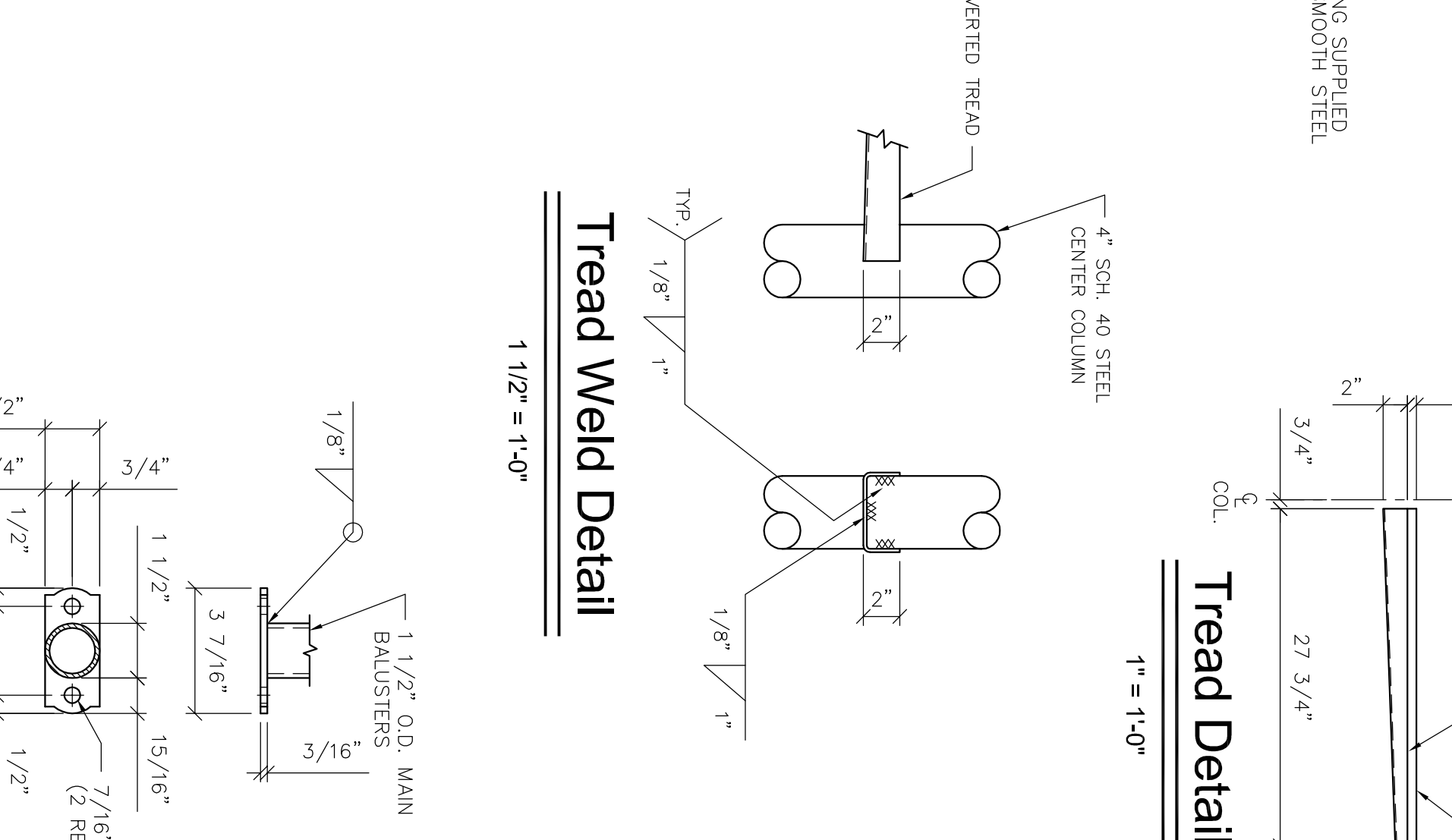
Plan View at Platform #2
1/2" = 1'-0"



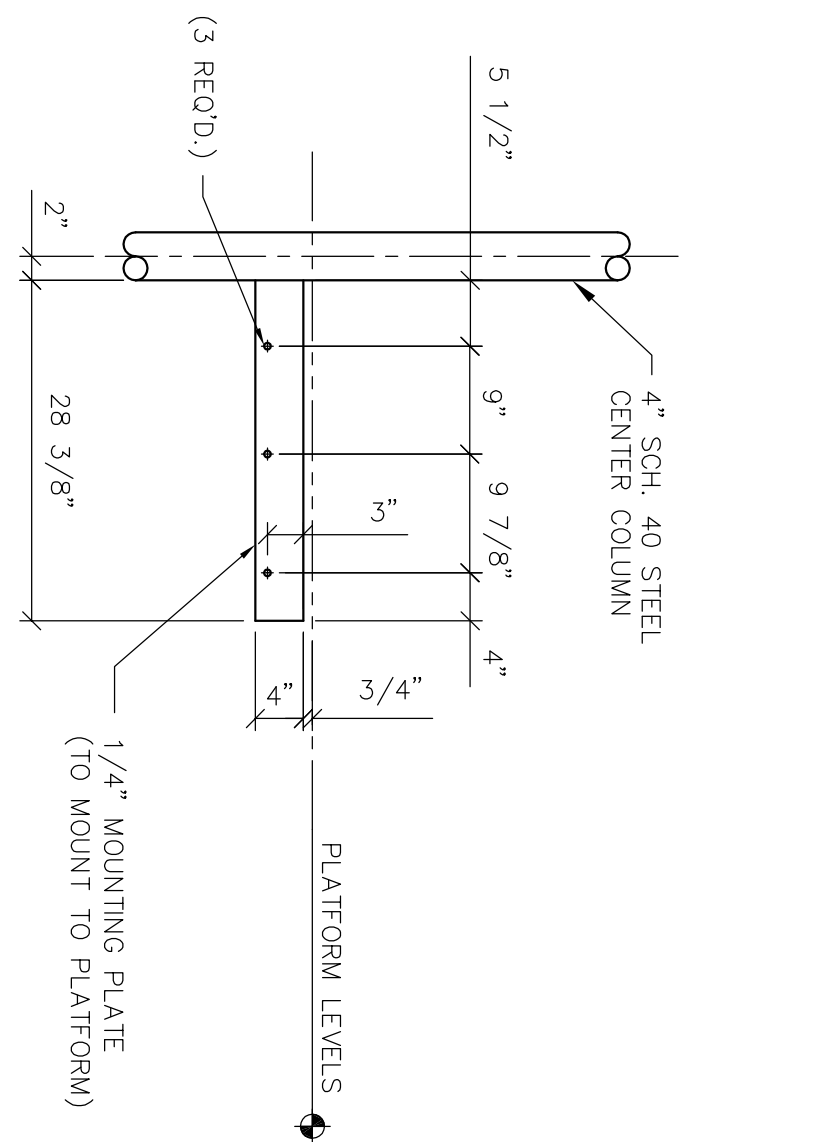
Side Elevation
3/8" = 1'-0"



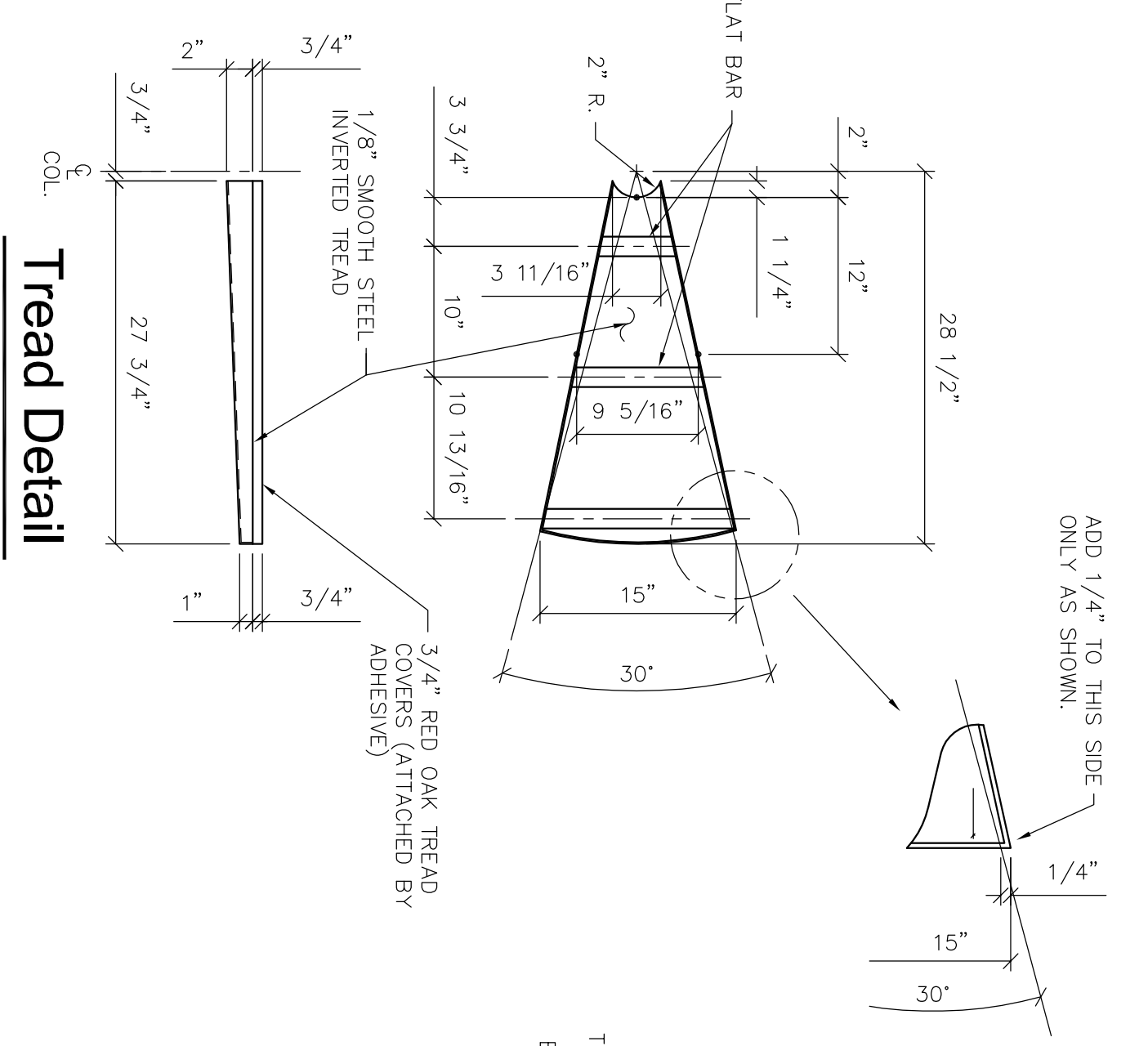
Plan View at Platform #1
1/2" = 1'-0"



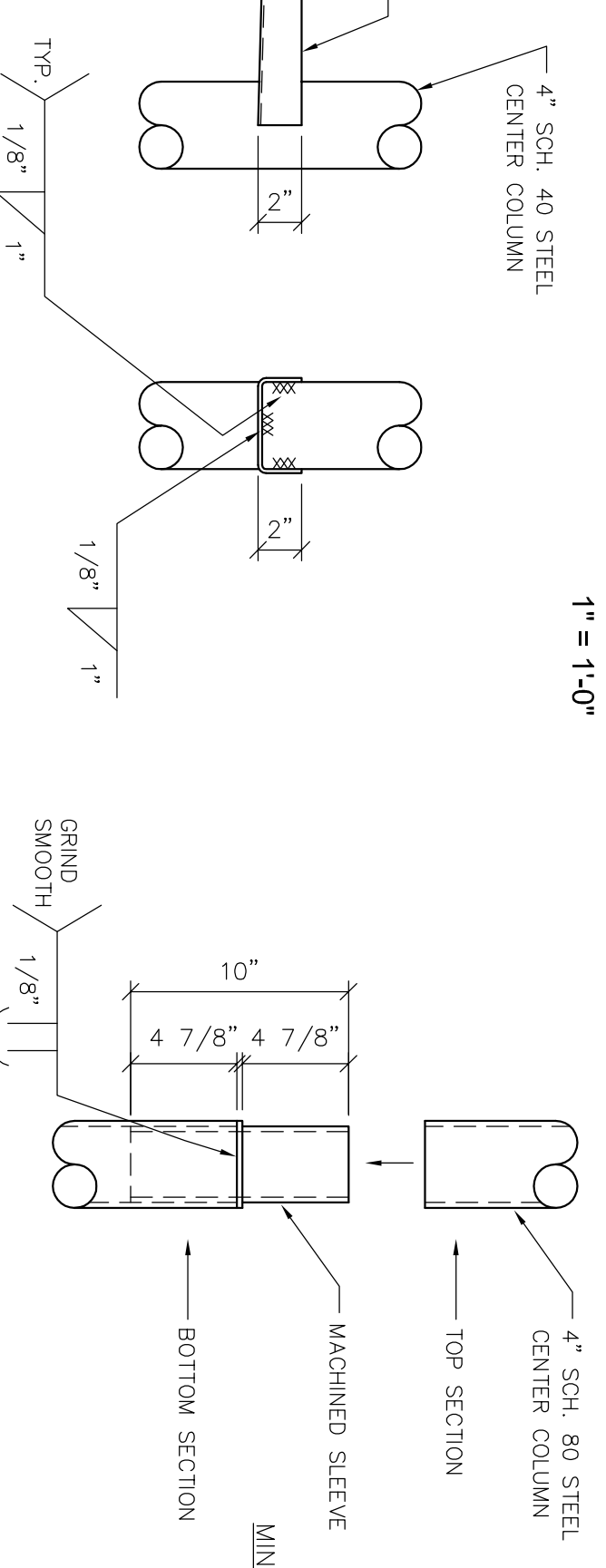
Plan View at Bottom
1/2" = 1'-0"



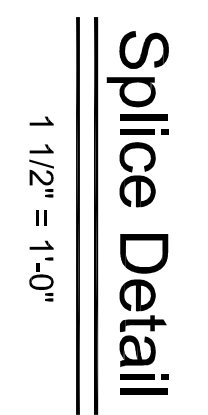
Mounting Plate Detail
3/4" = 1'-0"



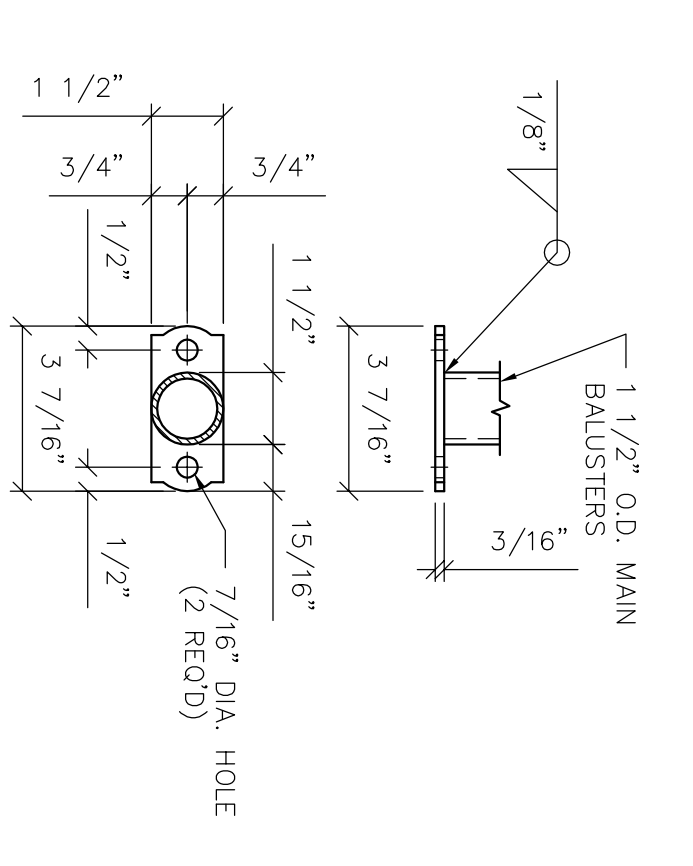
Tread Detail
1" = 1'-0"



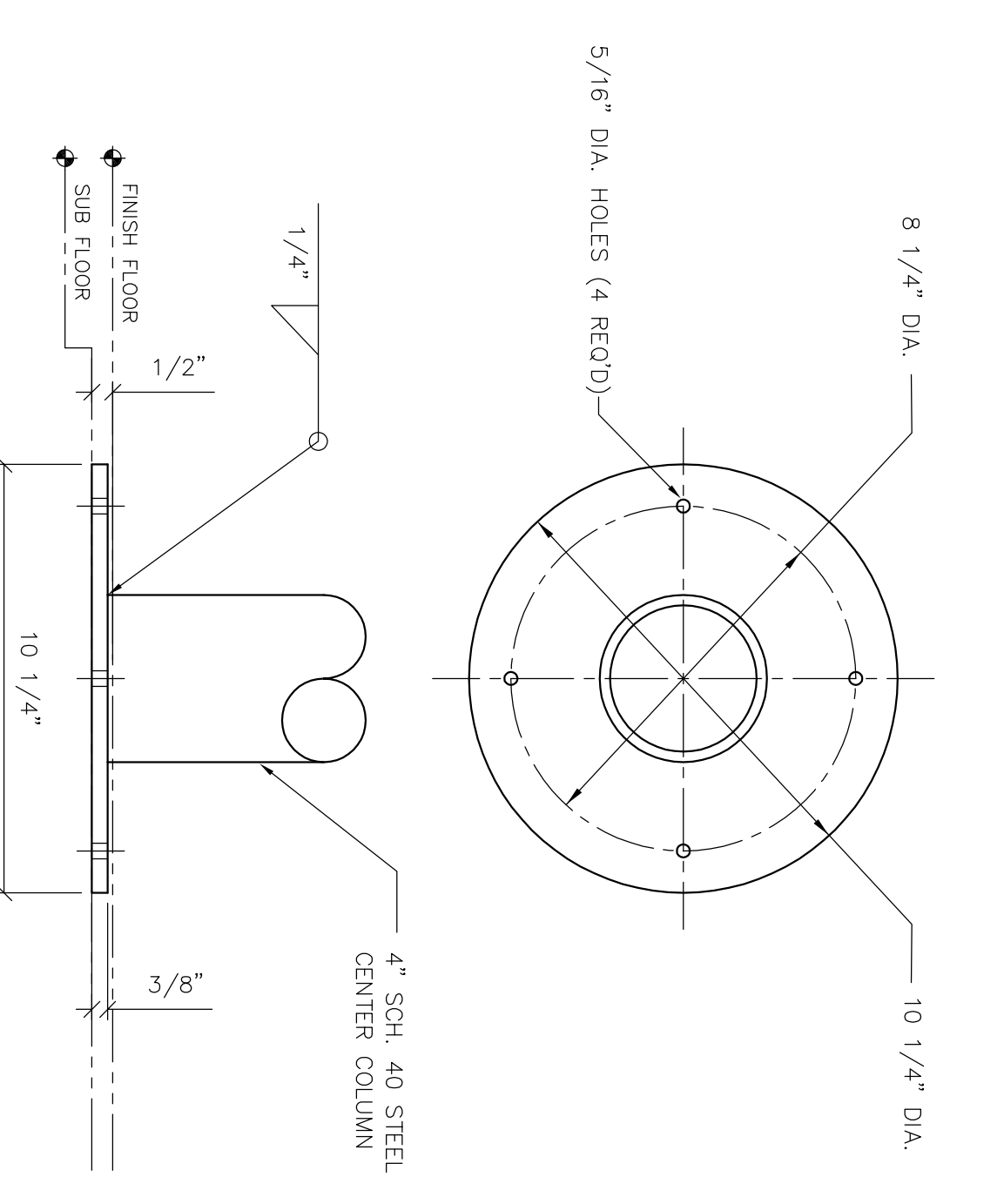
Tread Weld Detail
1 1/2" = 1'-0"



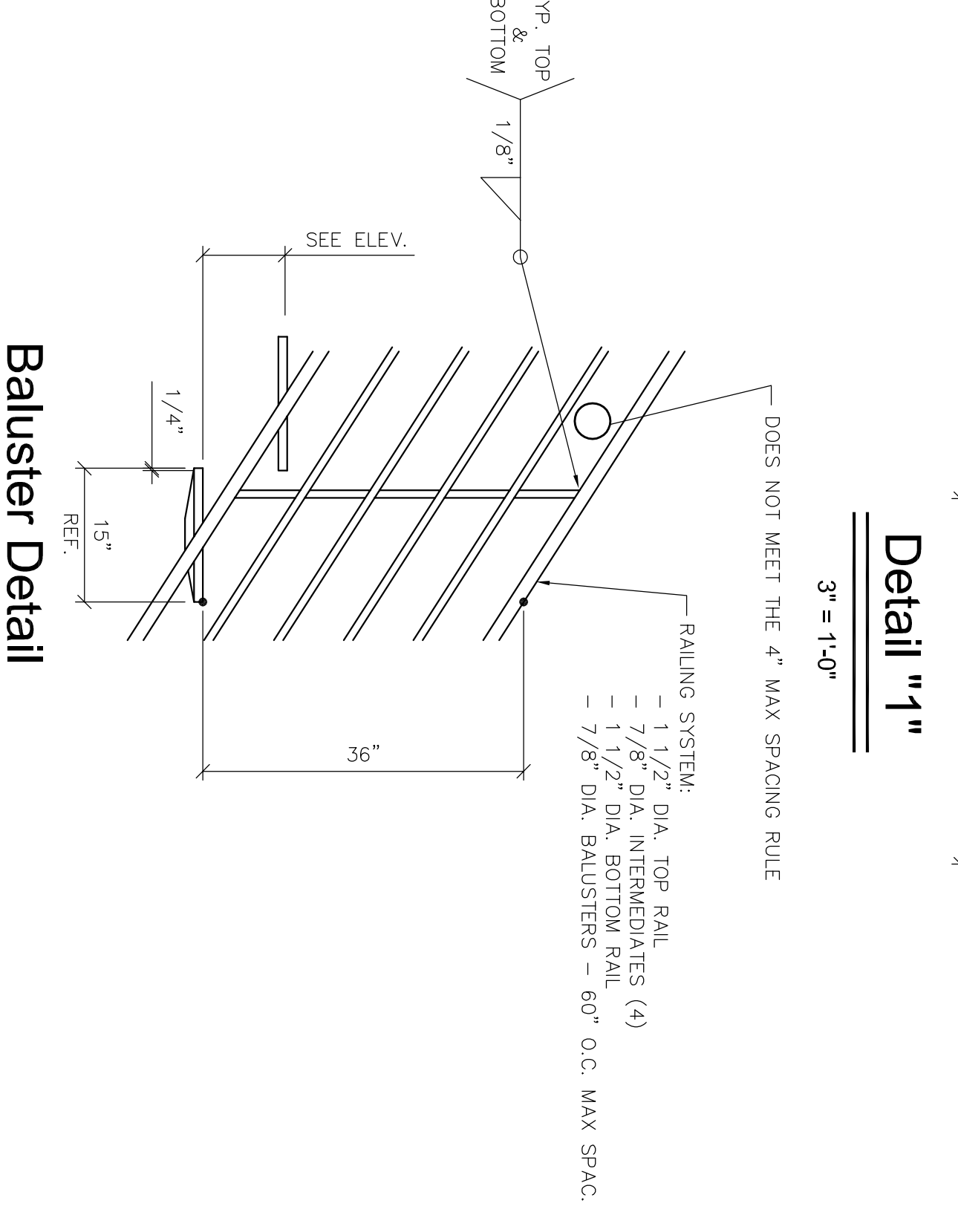
Splice Detail
1 1/2" = 1'-0"



Detail "2"
3" = 1'-0"



Detail "1"
3" = 1'-0"



Baluster Detail
3/4" = 1'-0"

MINIMUM DESIGN CRITERIA:

- TREADS & PLATFORMS:
 - UNIFORM LOAD OF 100 LBF/SQ. FT. AND OR CONCENTRATED LOAD OF 300 LBF ON AN AREA OF 4 SQ. IN.
- HANDRAILS & RAILINGS:
 - ANCHOR LOAD OF 50 LBF/FT. APPLIED HORIZONTAL AND VERTICALLY UP AND DOWN.
 - UNIFORM LOAD OF 200 LBF APPLIED AT ANY POINT AND IN ANY DIRECTION.
 - UNIFORM LOAD OF 50 LBF/FT. APPLIED IN ANY DIRECTION.
 - MAXIMUM DEFLECTION:
 - L/360 OR 1/4" IN. WHICHEVER IS LESS.

NOTES:

1. DUE TO THE NUMEROUS USES OF SPIRAL STAIRS IT IS THE RESPONSIBILITY OF SPIRAL STAIRS OF AMERICA TO BUILD TO BROCHURE SPECIFICATIONS. ADHERENCE TO LOCAL CODES REMAINS THE RESPONSIBILITY OF THE PURCHASER. ALTHOUGH SUGGESTIONS MAY BE MADE, IT IS THE PURCHASER'S RESPONSIBILITY TO MAKE CERTAIN THE STAIR MEETS THEIR APPLICATION.
2. DUE TO PRODUCTION RUNS, DIMENSIONS MAY VARY SLIGHTLY.
3. DESIGN LOAD: 3 TIMES MAX. INTENDED LOAD, MAX. INTENDED LOAD: 300 LBS.
4. DESIGN SPEED: 100 FPM.
5. ALL WELD JOINTS MUST BE FINISHED ACCORDING TO NOKMA CLASS 4 UNLESS OTHERWISE NOTED.
6. THIS STAIR SYSTEM IS DESIGNED AND BUILT TO S.S.A.'S INTERPRETATION OF IBC CODE IT IS THE CUSTOMER'S RESPONSIBILITY TO HAVE LOCAL CODE INSPECTORS APPROVAL OF THIS STAIR SYSTEM PRIOR TO FABRICATION.

APPROVED AS IS FOR CONSTRUCTION
 REJECTED, PLEASE RESUBMIT
 SIGNED: _____
 DATE: _____

REV.	DESCRIPTION	DRAWN	CHECK	APPR.	DATE
1	6 Line Deco Spiral Stair				

TITLE:
3'-0" (60") Dia. Spiral Steel Set Staircase (Left Hand Up) w/ 4" O.D. Set-40 Center Column x 17'-8 3/4" (212 3/4") High

CUSTOMER:
6 Line Deco

SCALE:
NOTED

DWG. NO.:
6 Line Deco

SPRAL STAIRS OF AMERICA
 ERE, PENNSYLVANIA
 (814) 898-3700 FAX: (814) 899-9139